



5 Switches, control units, sockets and plugs



3 Position switches

1 XCW series

The XCW stop limit switches are compact and come with an integrated cable.

They are mounted either with the body or with the control button.

Specifications

Protection	IP66
Material	aluminium, painted
Rated voltage	500V
Nominal current	6A
Connection	integrated 1-metre cable, 5x0,75mm ²
Mechanical life	10 ⁶ operations
Ambiant temperature	-20°C - +60°C

II 2 G EExd IIC T6

II 2 D IP66 T85°C

Zone 1	✓	Zone 21	✓
Zone 2	✓	Zone 22	✓

INERIS03ATEX0083



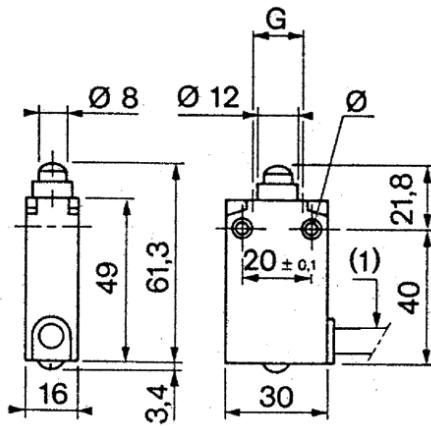
On request

- longer integrated cable

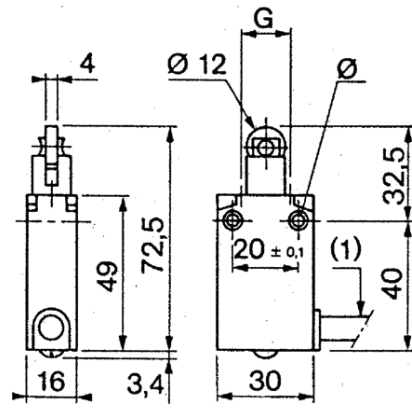
Ordering data

Code	Service control	Operation	Contact blocks	Diagram	Mounting	Weight
XCW-A110	metal switch cam	For head motion. Speed between 0,001 en 0,05 m/s.	1NO+1NC		body	0,240 kg
XCW-A102	switch cam with steel roll	For 30° cam motion. Speed between 0,001 en 0,1 m/s.	1NO+1NC		body	0,245 kg
XCW-A103	switch cam with steel roll, 90° turned	For 30° cam motion. Speed between 0,001 en 0,1 m/s.	1NO+1NC		body	0,245 kg
XCW-A115	lever with plastic roll	For 30° cam motion. Maximum speed of 1,5 m/s.	1NO+1NC		body	0,245 kg
XCW-F110	metal switch cam	For head motion. Speed between 0,001 en 0,05 m/s.	1NO+1NC		head	0,260 kg
XCW-F102	switch cam with steel roll	For 30° cam motion. Speed between 0,001 en 0,1 m/s.	1NO+1NC		head	0,265 kg
XCW-F103	switch cam with steel roll, 90° turned	For 30° cam motion. Speed between 0,001 en 0,1 m/s.	1NO+1NC		head	0,265 kg

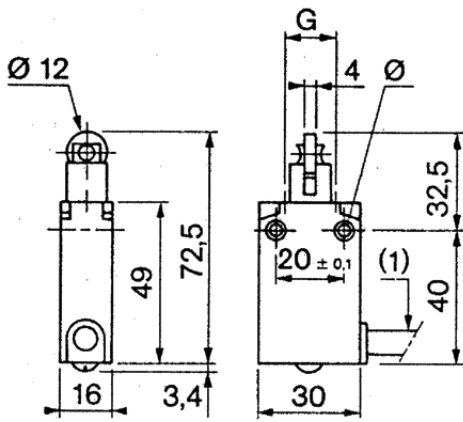
Dimensional sketches



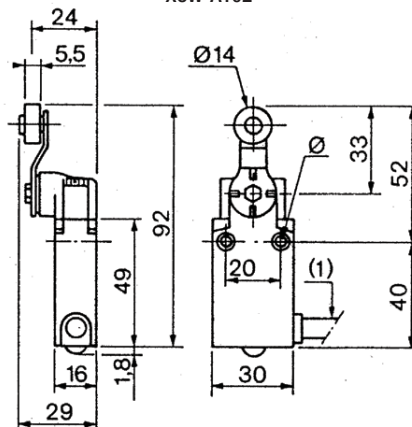
XCW-A110



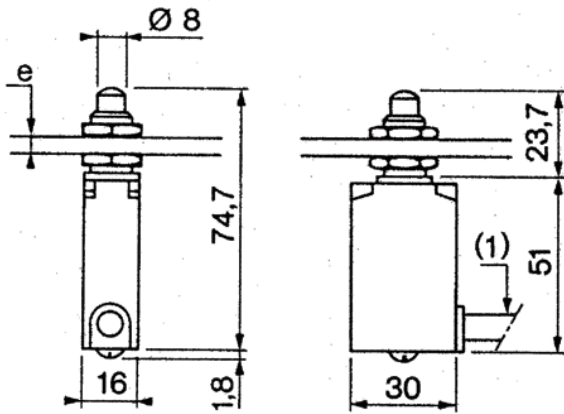
XCW-A102



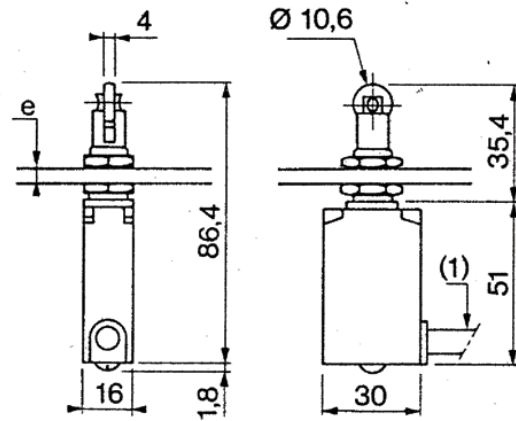
XCW-A103



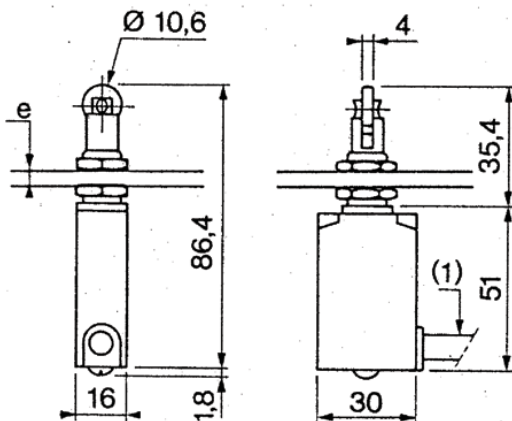
XCW-A115



XCW-F110



XCW-F102



XCW-F103